

6-GFMHR

High Rate Battery

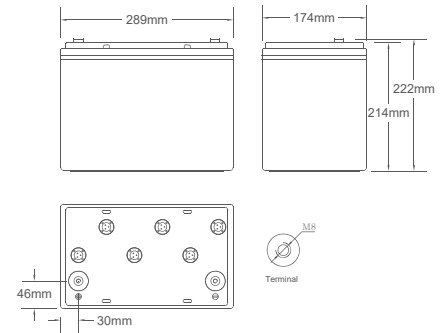
6-GFMHR-390W



Benefits

- ▶ High rate, can be used in the standby power which less than 15min
- ▶ High consistency, security, reliability and stability
- ▶ Fast charging speed, low self-discharge rate
- ▶ Designed life is 15 years
- ▶ Good anti-high current performance
- ▶ Good anti-over-discharge performance
- ▶ Excellent anti-overcharge performance
- ▶ Good anti-impact performance
- ▶ Excellent anti-vibration performance

Dimensions



Technical Parameters

Nominal Voltage	12 V
Rated Power	390W,15min to 1.67V/cell(25°C)
Weight	28.5 kg(62.83 lbs)
Dimensions	Length: 289 mm (11.38 in) Width: 174 mm (6.85 in) Height: 214 mm (8.43 in) Total height: 222 mm (8.74 in)
Internal Resistance (full charged)	3.4 mΩ
Short- circuit Current	2450 A
Self Discharge @25°C(77°F)	Less than 8% after 90 days storage
Operating Temperature Range	Discharge: -40°C ~ 50°C(-40°F ~ 122°F) Charge: -20°C ~ 45°C(-4°F ~ 113°F) Storage:-20°C ~ 40°C(-4°F ~ 104°F)
Recommended Operating Temperature	15°C ~ 25°C (59°F ~ 77°F)
Recommended Charging Current	12.8 A
Charging Voltage @25°C(77°F)	Float: 2.23 V/cell Equalize: 2.35 V/cell
Terminal	M8
Container Materials	ABS/ABS V0 (Optional)
Capacity Affected by Temperature(C ₁₀)	105% @ 40°C(104°F) 85% @ 0°C(32°F) 60% @ -20°C(-4°F)
Design Life @25°C(77°F)	15 years

Certification

- ☑ ISO 9001: 2008
- ☑ ISO 14001: 2004
- ☑ GB/T 28001- 2011

Technical Features

- ▶ Double-sided smear, cast welding and other processes strengthen the process control and improve battery consistency
- ▶ High-strength ABS material and patented sealing technology ensure the normal use of the battery without leakage, expansion and rupture
- ▶ Corrosion-resistant alloy and stamping process greatly extend the battery life

6-GFMHR

High Rate Battery

6-GFMHR-390W



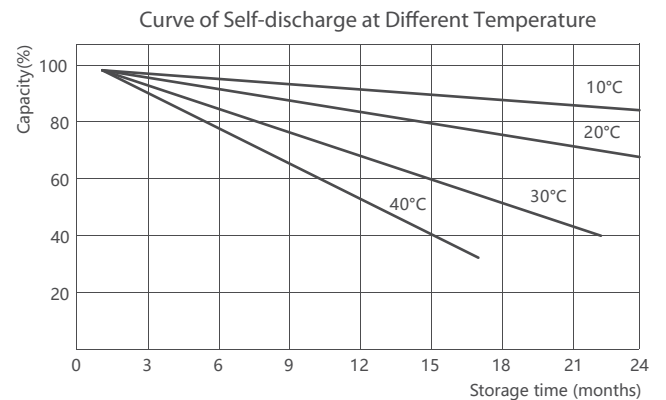
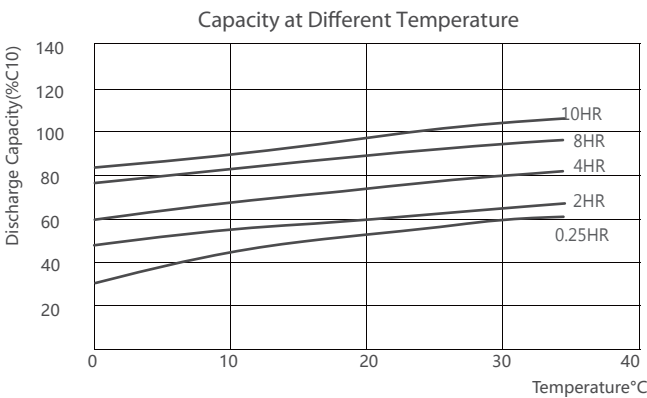
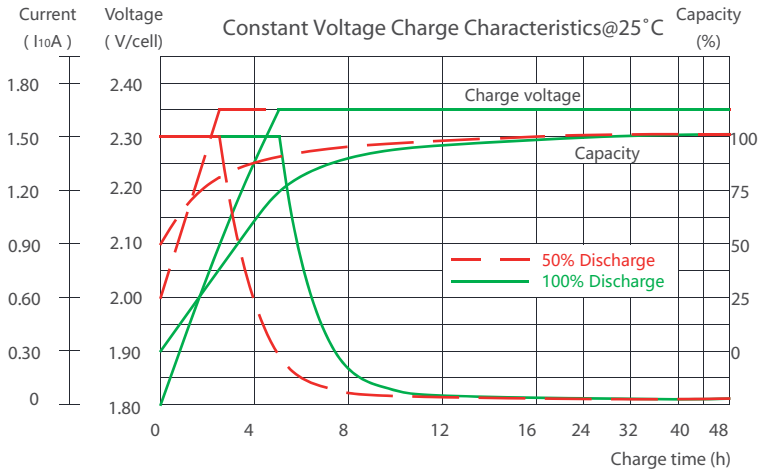
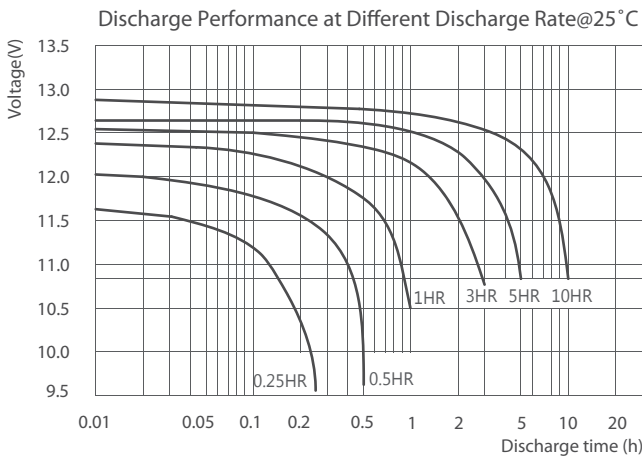
Constant Current Discharge Characteristics Unit: A (25°C, 77°F)

F.V/Time	5min	10min	15min	20min	25min	30min	1hr	1.5hr	2hr	3hr	6hr	10hr
1.60V	340	247	205	155	132	117	60.0	46.0	35.9	24.9	14.0	8.9
1.67V	322	237	192	150	128	111	57.3	44.6	35.2	24.5	13.6	8.8
1.70V	312	233	185	147	124	107	55.5	42.7	34.5	24.1	13.3	8.7
1.75V	270	231	184	144	119	101	52.3	40.1	33.8	23.7	13.0	8.6
1.80V	240	221	165	138	115	95	48.4	37.5	33.1	23.3	12.8	8.5
1.85V	208	204	150	125	105	88	45.7	35.6	31.8	22.4	12.3	8.4

Constant Power Discharge Characteristics Unit: W/cell (25°C, 77°F)

F.V/Time	5min	10min	15min	20min	25min	30min	1hr	1.5hr	2hr	3hr	6hr	10hr
1.60V	620	470	400	318	265	235	116.5	89.7	70.4	49.1	27.7	17.7
1.67V	590	465	390	312	258	224	111.8	87.3	69.3	48.5	27.1	17.6
1.70V	580	460	380	307	252	217	108.8	84.0	68.3	48.0	26.6	17.5
1.75V	504	456	363	305	247	206	103.0	79.4	67.3	47.4	26.1	17.4
1.80V	450	435	339	283	236	191	95.9	74.7	66.2	46.8	25.9	17.3
1.85V	395	391	310	261	216	181	91.0	71.3	63.9	45.2	25.0	17.1

Performance Curve



*Declaration:

This information is generally descriptive only and is not intended to make or imply any representation, guarantee or warranty with respect to any cells and batteries. Cell and battery designs/specifications are subject to modification without notice. Contact CHINASHOTO for the latest information.

Welcome to Visit : www.chinashoto.com